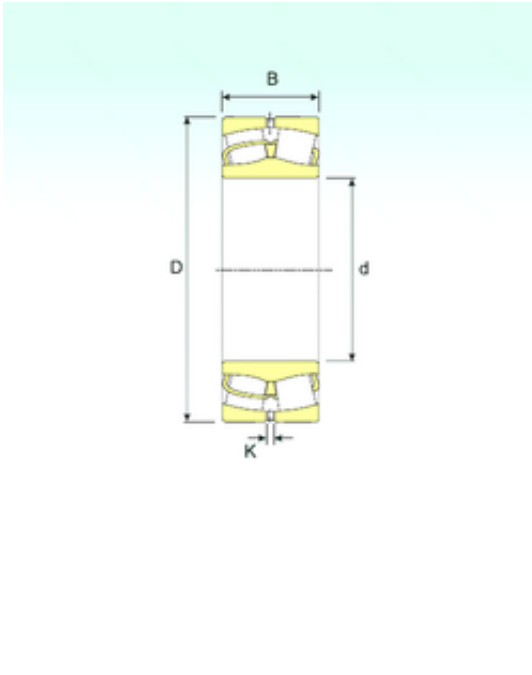




## SGS BEARINGS IMPORT LTD.



23252 Bearing 2D drawings and 3D CAD models

260 mm x 480 mm x 174 mm ISB 23252  
spherical roller bearings

Bearing No. 23252

Size	260x480x174 mm
Bore Diameter	260 mm
Outer Diameter	480 mm
Width	174 mm
d	260 mm
D	480 mm
B	174 mm
C	174 mm
K	12 mm
Weight	140 Kg
Basic dynamic load rating (C)	3185 kN
Basic static load rating (C0)	4655 kN
(Grease) Lubrication Speed	918 r/min