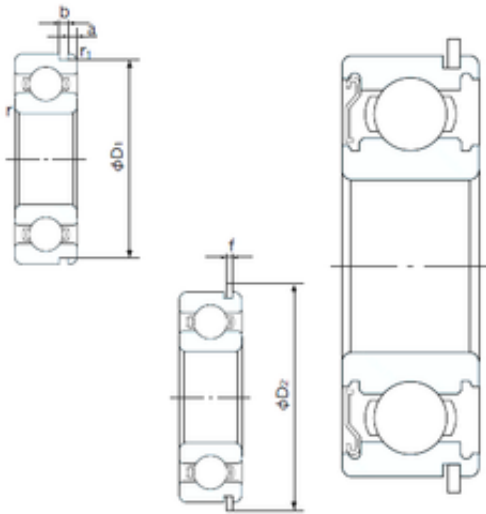




SGS BEARINGS IMPORT LTD.



40 mm x 52 mm x 7 mm NACHI 6808ZNR
deep groove ball bearings

Bearing No. 6808ZNR

6808ZNR Bearing 2D drawings and 3D CAD models

Size	40x52x7 mm
Bore Diameter	40 mm
Outer Diameter	52 mm
Width	7 mm
d	40 mm
D	52 mm
B	7 mm
C	7 mm
a	1.3 mm
b	0.95 mm
f	0.85 mm
r min.	0.3 mm
r1 min.	0.3 mm
D1	50.7 mm
D2	54.8 mm
Weight	0.034 Kg
Basic dynamic load rating (C)	5,95 kN
Basic static load rating (C0)	4,9 kN
(Grease) Lubrication Speed	12000 r/min
Enclosure	Single Shield with Snap Ring
Bore Type	Cylindrical Bore
Configuration	Single Row
Bore Size	40 mm
Outside Diameter	52 mm
Width	7 mm



SGS BEARINGS IMPORT LTD.

Fillet Radius/Chamfer	0.3 mm
r1	0.3 mm
Snap Ring Width	0.9 mm
Snap Ring Outside Diameter	54.8 mm
D1 (max)	50.7 mm
a (max)	1.3 mm
b (min)	1 mm
Dynamic Load Rating	5,950 N
Static Load Rating	4,900 N
Limiting Speed - Grease	12,000 rpm
Limiting Speed - Oil	14,000 rpm
Factor fo	16.2
Radial Clearance	0.006 to 0.020 mm
da (min)	42 mm
Da (max)	50 mm
Dx (min)	55.5 mm
ra (max)	0.3 mm
Cy (max)	1.8 mm